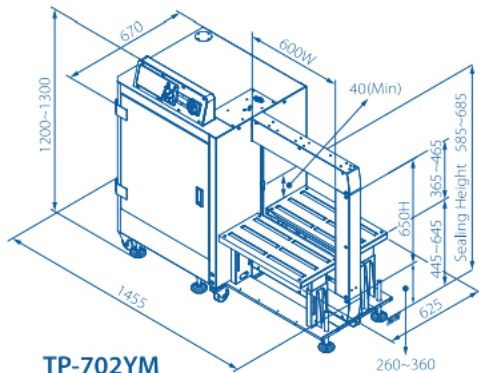




www.atpkg.com



AT PACKAGING
SALES  SERVICE



TP-702YM



TP-702YM

TP-702YM is a wash-down side-seal strapping machine. With stainless steel cabinet (SUS 304) and rust resistant or corrosion retardant components, TP-702YM provides maximum protections for the applications in the harsh working environment like seafood, meat, and poultry processing industries.

STANDARD FEATURES INCLUDE:

- Robust and compact strapping head
- High strapping speed up to 60 packages per minute
- Water proof design with internal heating device
- Control panel with LCD display
- Free access to strap guides (patents registered)
- Downward tension force
- IP54 rated protection of electric control unit
- Inner strap dispenser design
- Adjustable table height between 445mm – 645mm
- Strap width: 5,9 or 12mm
- Tension: 1-32kg (5,9mm) 1-45kg (12mm)

OPTIONS:

- Light tower with low strap sensor
- Small Package
- End of cycle and strapping error signals
- Without adjustable roller table (TP-702YM-XT)
- Dual press bar



* Photo as reference, model TP702YAM with Dual press bar option