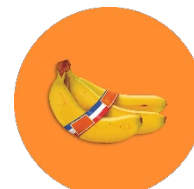




www.atpkg.com



Banding Machine SE1 NEO

An Indispensable Solution

- *Ultra secure*
- *Suitable for paper tape*
- *Product circumference: Up to 8.5"*
- *Printer optional*

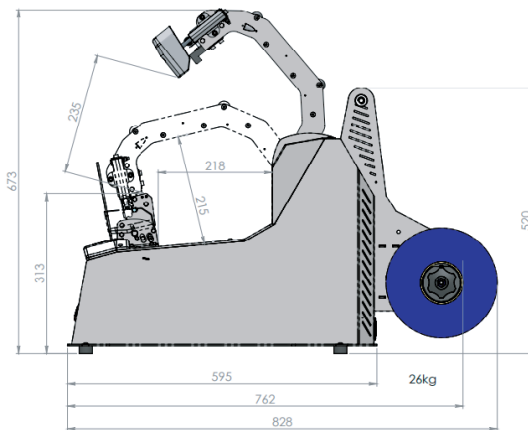
Cutting-edge technology

The SE1 NEO is the latest generation of Banding Machines.

It benefits from taping heads from the ARC industrial range for more intensive use. Its new design allows you to work on products with a diameter of up to 8.5 in. Completely secure, it offers optimum ergonomics and working speed.



Equipped with an optional inkjet printer, the SE1 NEO is ideal for making bundles of vegetables, batches of parts of all kinds or marking single products such as bananas, cauliflower, cabbage, black radish, melons, leeks etc.



unit of measurement: mm

Technical information:

- Capacity: Products with a diameter up to 8.5"
- Consumable: Adhesive paper, PP or PVC
- Trigger: Lateral or pedal with time delay for larger products
- Printer (optional): Inkjet
- Electricity: 220/115 volts
- Weight: 58lbs (26 Kg)

